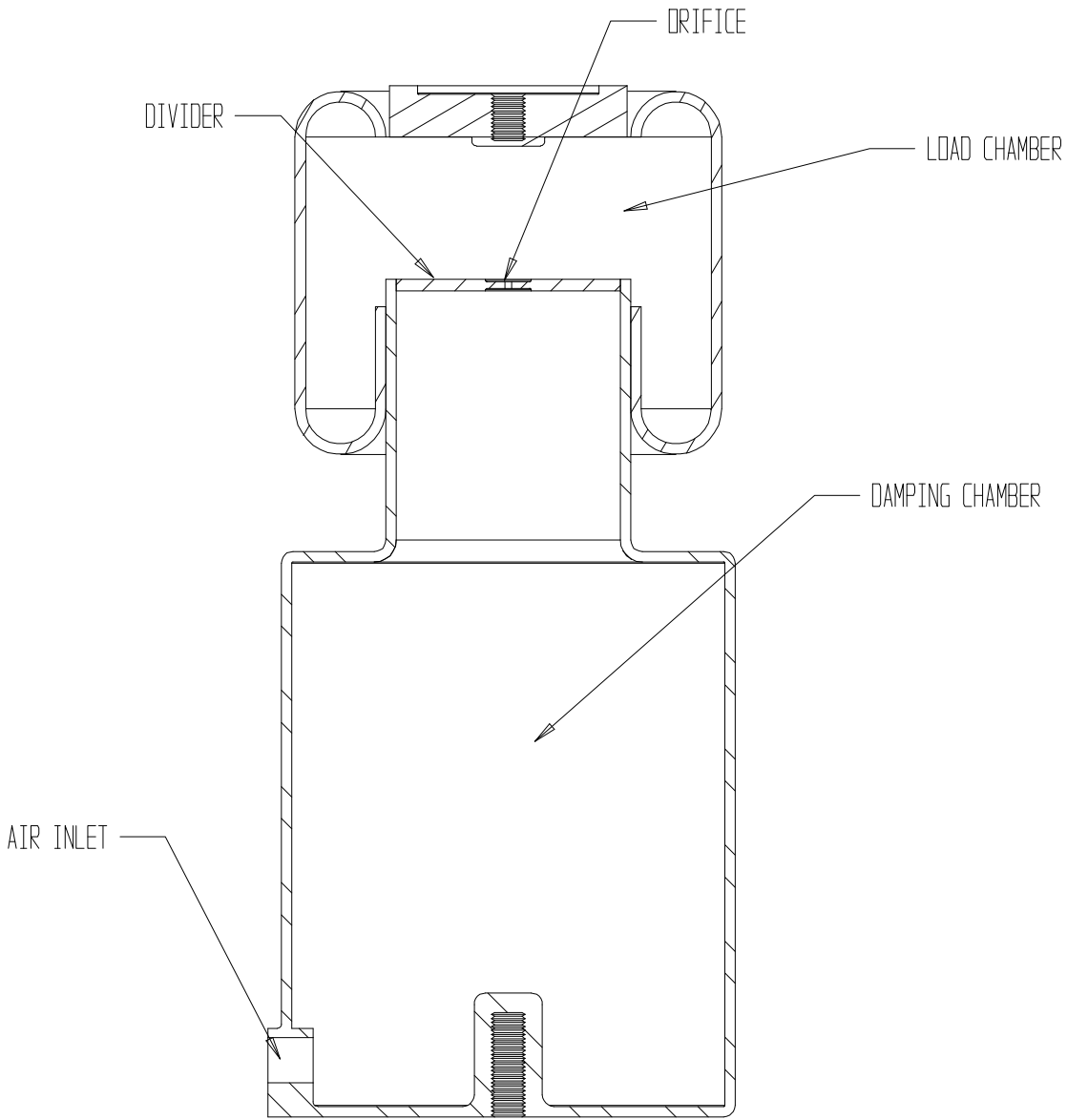


| REVISIONS | | | |
|-----------|-------------|------|----------|
| REV | DESCRIPTION | DATE | APPROVED |
| | | | |



INVENTIONEERING TM
 DIVISION OF: GOOD THINGS.COM, INC.
 1807 DOUGLAS AVENUE
 CLEARWATER, FL 33755

TOLERANCES:
 (EXCEPT AS NOTED)
 X.X =
 X.XX =
 X.XXX =
 ANGLES +/- 1 DEGREE

DESCRIPTION: SELF DAMPING AIR SPRING
 PATENT # 4871189

MATERIAL:

NEXT ASSEMBLY: TOP ASSEMBLY:

THIS DRAWING CONTAINS PROPRIETARY DATA WHICH IS OWNED BY INVENTIONEERING. BY ACCEPTING THIS DRAWING THE BORROWER AGREES TO USE IT ONLY FOR THE PURPOSE FOR WHICH IT IS SUBMITTED AND TO NOT DISCLOSE OR DISSEMINATE IT TO OTHERS EXCEPT AS AUTHORIZED IN WRITING BY INVENTIONEERING

| | | | | |
|---------------|-----------|----------|---------|-----|
| DRAWN BY: Cvb | SIZE A | FSCM NO. | DWG NO. | REV |
| DATE: | SCALE 1:1 | SHEET | | |

COPYRIGHT 2000 ALL RIGHTS RESERVED

